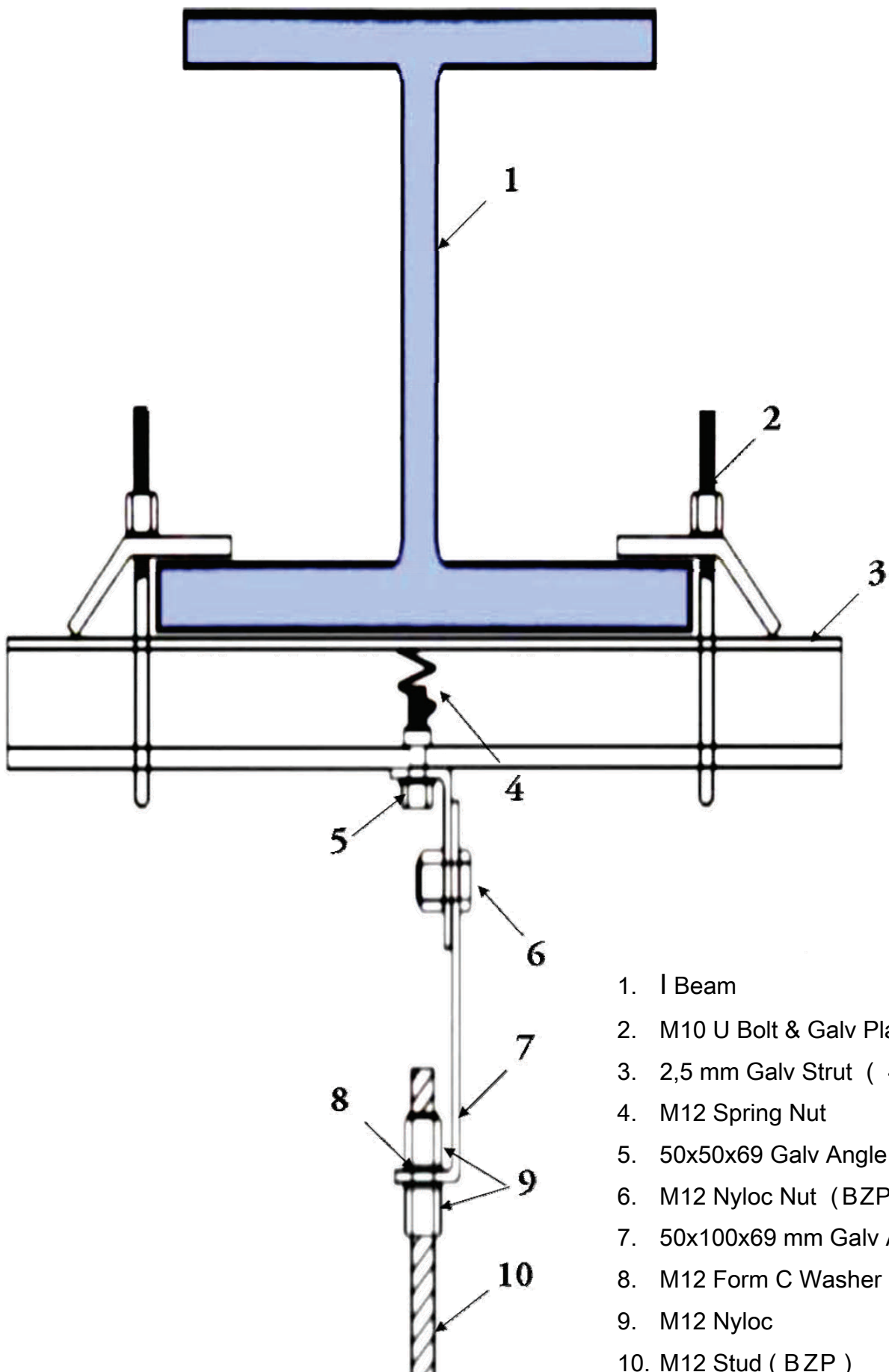


CSS Swivel Hanger



1. I Beam
2. M10 U Bolt & Galv Plate
3. 2,5 mm Galv Strut (400 mm long)
4. M12 Spring Nut
5. 50x50x69 Galv Angle
6. M12 Nyloc Nut (BZP)
7. 50x100x69 mm Galv Angle
8. M12 Form C Washer (BZP)
9. M12 Nyloc
10. M12 Stud (BZP)