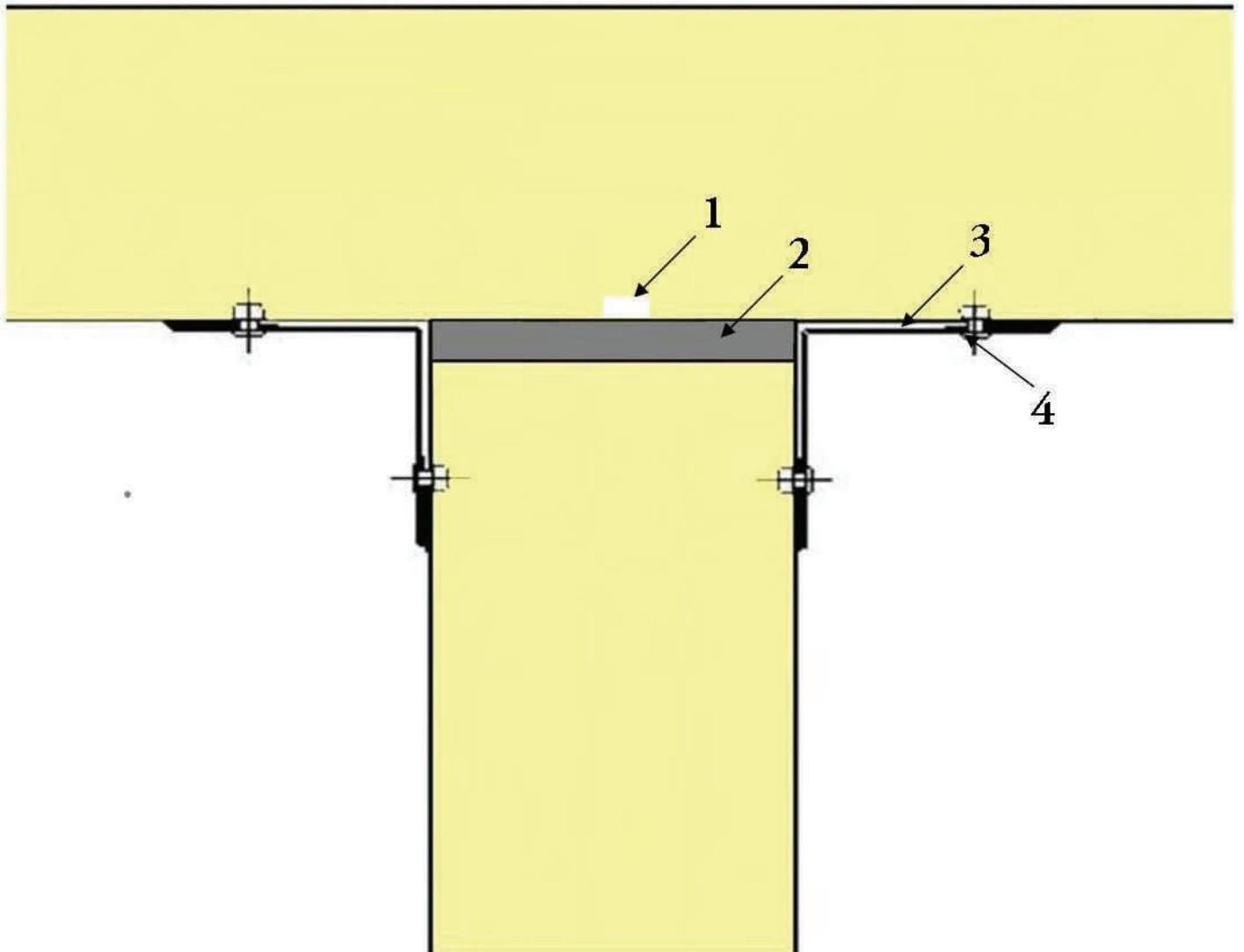


## Typical Partition 3 ( Joint Freezer Wall / Ceiling )



1. Thermal Break as Required
2. Foam Infill
3. Internal Angle
4. Rivet