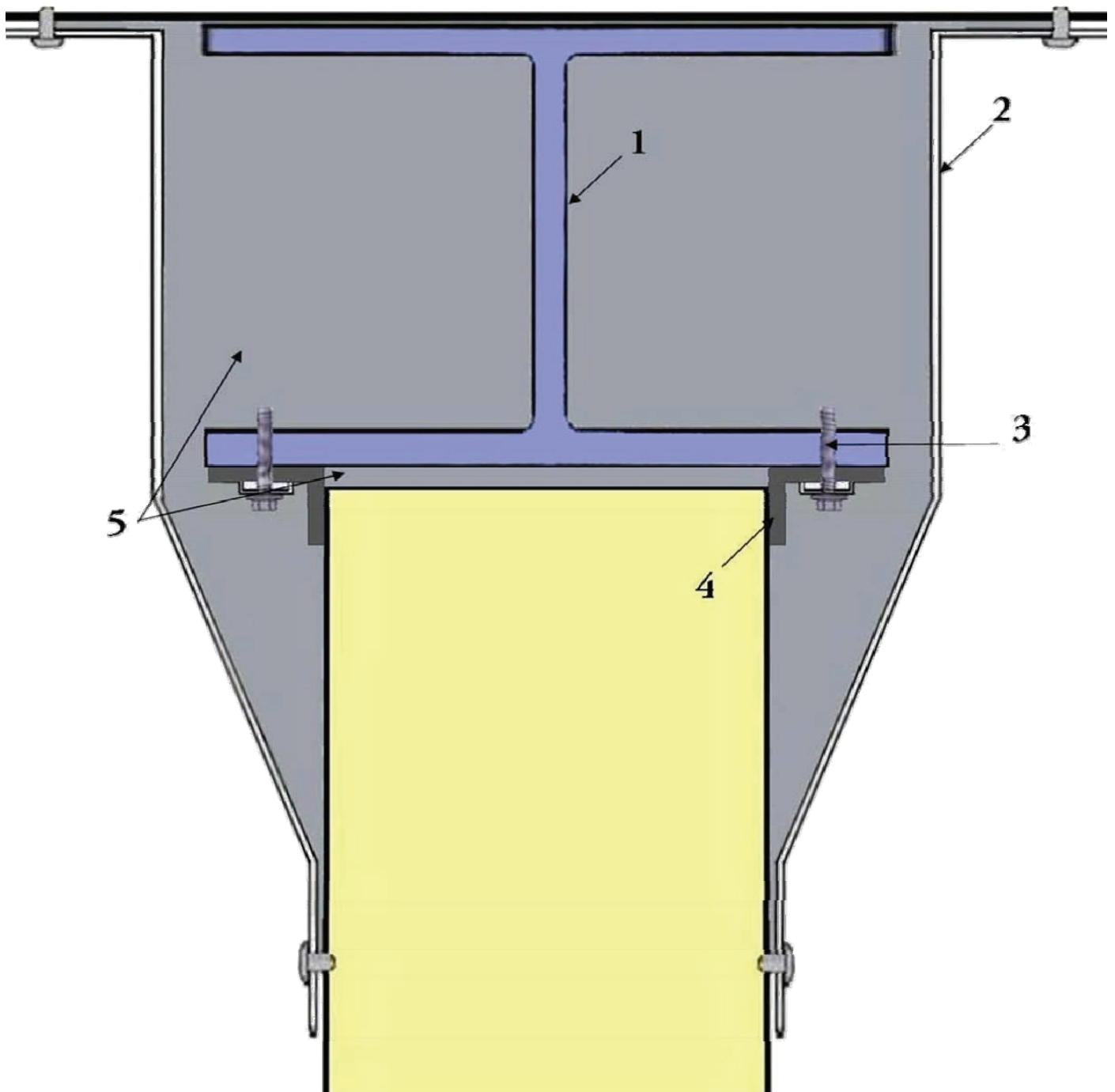


Typical Steel Fixing 1



1. Steel Work (I beam)
2. Flashing Fixed with Rivets
3. Tek Screw Fixed to Steelwork
4. Support Angle
5. Void Filled with Appropriate Insulation